

# NATAL ALU

WIM SEGERS



## DESCRIPTION

An angular frame with a curved seat that seems to float. The Natal Alu collection combines functionality with impeccable class and a strong charisma. At the same time the rounded corners of the armrests give this collection a soft look. This is a chair that will never go out of fashion, with a seating comfort that is one of the best.

## MATERIALS

- Frame: Aluminium, powdercoated with durable polyester powdercoating
- Hardware: 316L electropolished stainless steel
- Seat: Batyline®
- Table top: Ceramic in white, linen, piombo & black or Indonesian plantation teak

## CUSHIONS

Filling in dryfoam which has an open cell structure, so air can circulate freely. Water passes through the filling, but dries quickly thanks to the large open pores, substantially inhibiting fungal growth. Fabrics available in category D, E & F.

## COLOURS FRAME & BATYLINE

00-White



89-Wengé



## COLOURS TABLE TOP

00-White



10-Linen



89-Plombo



90-black



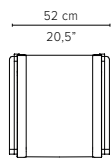
T-Teak



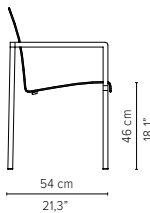
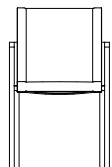
# NATAL ALU

## TECHNICAL DRAWINGS

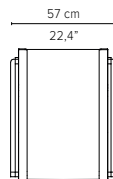
### 05918-x-x Armchair



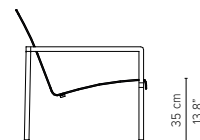
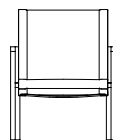
7,3 kg  
 delivery unit: 2  
 packaging:  
 63 x 55 x 92 cm - 0,3 m<sup>3</sup>  
 17,3 kg  
 cushion: art. CO3011



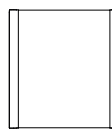
### 05912-x-x Easychair



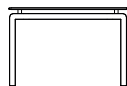
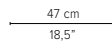
8,6 kg  
 delivery unit: 2  
 packaging:  
 78 x 62 x 82 cm - 0,4 m<sup>3</sup>  
 20,4 kg  
 cushion: art. CO3019



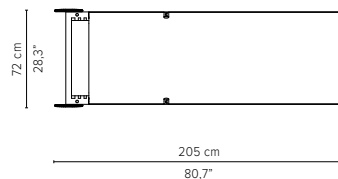
### 05990-x-x Footrest



4,7 kg  
 delivery unit: 1  
 packaging:  
 65 x 50 x 44 cm - 0,14 m<sup>3</sup>  
 5,5 kg

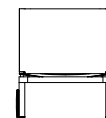
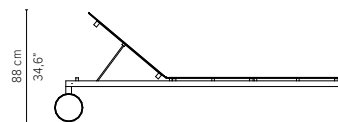


### 05940-x-x Adjustable lounger



22,8 kg  
 delivery unit: 1  
 packaging:  
 211 x 74 x 36 cm - 0,56 m<sup>3</sup>  
 28 kg  
 cushion: art. CO5440W

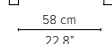
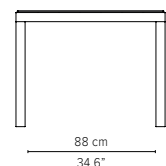
Adjustable into 7 positions



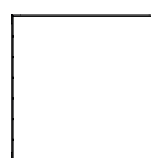
### 06358-x-x Dining table 69 x 99 cm



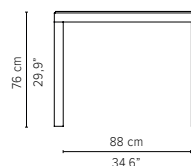
31 kg  
 packaging base:  
 103 x 73 x 9 cm - 0,07 m<sup>3</sup> - 17,5 kg  
 packaging legs:  
 103 x 73 x 9 cm - 0,07 m<sup>3</sup> - 2 kg  
 packaging ceramic top:  
 76 x 105 x 7 cm - 0,04 m<sup>3</sup> - 14,5 kg  
 packaging teak top:  
 71 x 103 x 4 cm - 0,03 m<sup>3</sup> - 11,15 kg



### 06373-x-x Dining table 99 x 99 cm



36 kg  
 packaging base:  
 103 x 103 x 9 cm - 0,09 m<sup>3</sup> - 17,8 kg  
 packaging legs:  
 103 x 73 x 9 cm - 0,07 m<sup>3</sup> - 2 kg  
 packaging ceramic top:  
 106 x 105 x 7 cm - 0,08 m<sup>3</sup> - 20 kg  
 packaging teak top:  
 103 x 103 x 5 cm - 0,05 m<sup>3</sup> - 16 kg

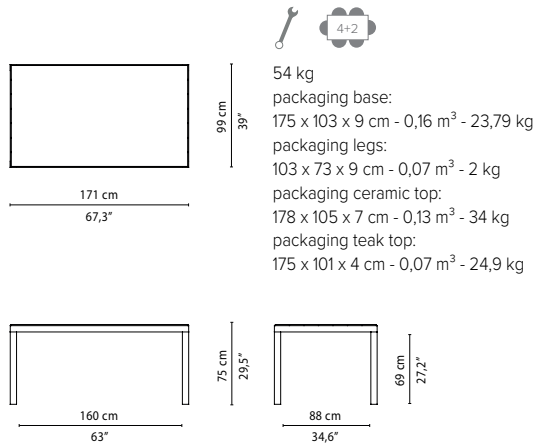


\* Appearances, measurements and weights may slightly differ from reality.

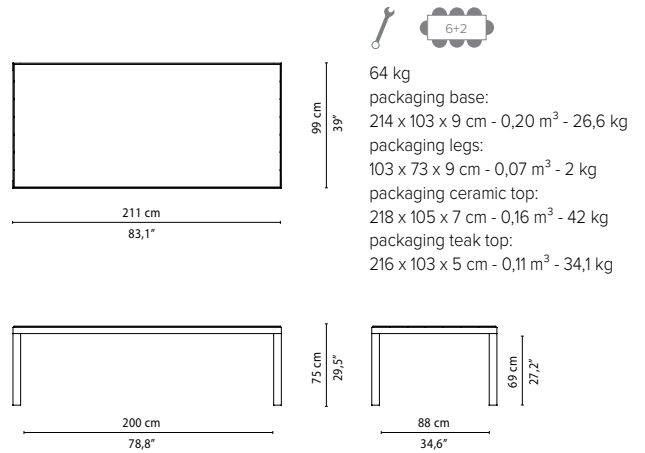
# NATAL ALU

## TECHNICAL DRAWINGS

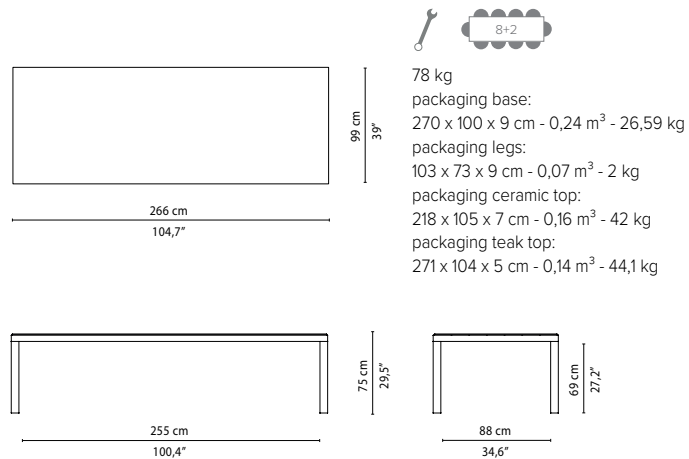
06351-x-x Dining table 171 x 99 cm



06352-x-x Dining table 211 x 99 cm



06354-x-x Dining table 266 x 99 cm



\* Appearances, measurements and weights may slightly differ from reality.

# NATAL ALU

---

## PROTECTION COVERS

For each item a cover is available that protects the furniture against dirt. These covers in grey colour are made of PU coated polyester which is water-repellent and UV-resistant. Thanks to their excellent breathable qualities the covers reduce condensation and heat build-up, helping to prevent the formation of mold and mildew. Always make sure that furniture, cushions and covers are completely dry before covering furniture.

## MAINTENANCE

### Frame

Clean the aluminium frame with tap water and a PH neutral soap. For stubborn stains, use Aluminium Cleaner. We advise to use Metal Protector twice a year which applies an invisible film and protects the aluminium against the adhesion of dirt.

### Seat

The Batyline seat can be cleaned with soap and water. For stubborn stains use Synthetics Super Cleaner. Apply with a soft brush on both sides. Leave to soak for a while and rinse with a garden hose.



D9952  
Aluminium  
Cleaner



D9930  
Metal Protector Teflon®  
(spray that lays an invisible dirt-repellent film)



D9922  
Synthetics  
Super Cleaner

### Table top Ceramic

Ceramic is very easy to maintain with clear water and a pH-neutral soap. Stubborn stains can be removed with Glass & Ceramic Cleaner. To protect the ceramic, Ceramic Protector can be used. This applies a highly water and soiling repellent coating, which also makes the surface brighter, smoother and easier to clean.



D9938  
Ceramic  
Cleaner



D9955  
Ceramic  
Protector

### Table top Teak

Treat new teak with Teak Protector 4 à 6 weeks after installation. Teak Protector applies an invisible film that prevents stains and green deposit. Soiled teak can be cleaned with Teak Super Cleaner. Leave the furniture to dry completely and then apply Teak Protector. To avoid labour-intensive cleaning, you can treat the wood with Teak Sealer. A simple cleaning with water and a ph-neutral soap will do for many years. Teak Sealer contains UV protection to slow down the graying from the sun as well as a fungicide to prevent the growth of mold and mildew.



D9914  
Teak Super  
Cleaner



D9912  
Teak Protector



D9959  
Teak Sealer

# NATAL ALU

---

## TECHNICAL STANDARDS

### 05918 Armchair



ANSI/BIFMA X5.1-2011

EN1022:2005 6  
EN581-1:2006 5  
EN 1728:2012

ASTM B117-11 (MOD.)

CPSD-HL-01010-MTHD  
CPSD-HL-01012-MTHD

---

### 05912 Easychair



ANSI/BIFMA X5.1-2011

EN1022:2005 6  
EN581-1:2006 5  
EN 1728:2012

ASTM B117-11 (MOD.)

CPSD-HL-01010-MTHD  
CPSD-HL-01012-MTHD

---