

Colin

SITS



Colin

M. Jötter *N. Kayser*

designed by: Böttcher & Kayser



UPHOLSTERY



fabric

COMFORTS



STD standard



RICH rich

COVERS

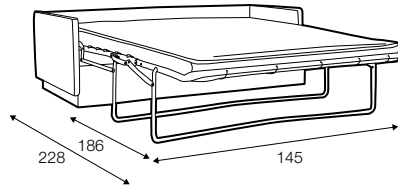
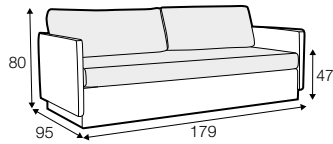


FC fixed

SPECIAL

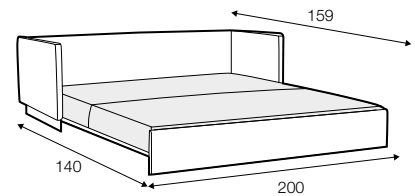
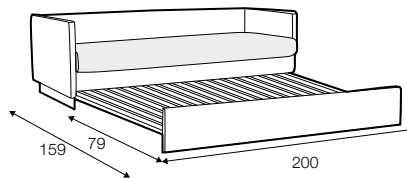
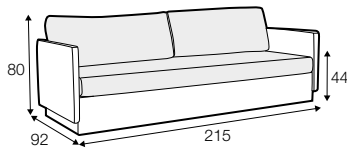


sofa bed



sofa bed ver. A

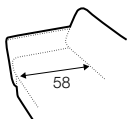
available only in standard comfort



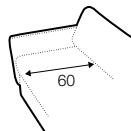
sofa bed ver. B

available only in rich comfort

extra dimensions

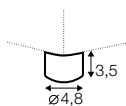


depth of seat
sofa bed ver. A



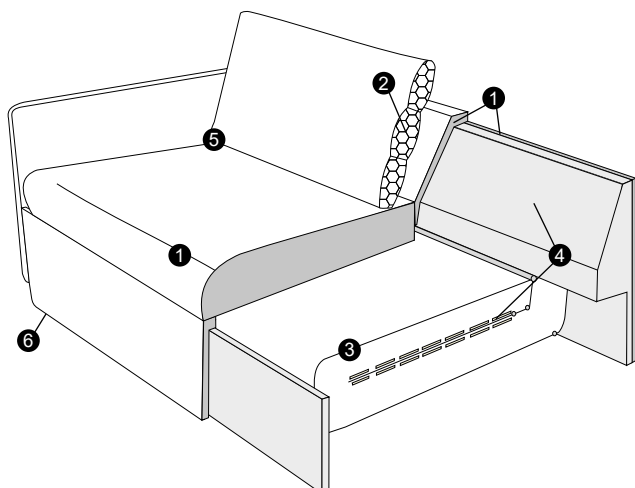
depth of seat
sofa bed ver. B

legs



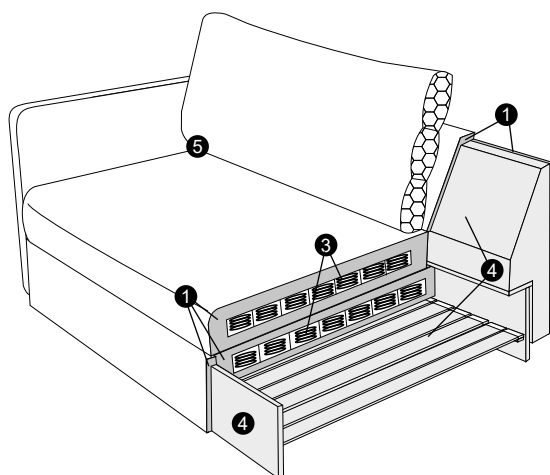
no. 173
wood

profile



ver. A standard

1. polyurethane foam / high resilient polyurethane foam
2. silicone balls
3. foam mattress
4. FSC® certified solid wood and wood based elements
5. fabric
6. FSC® certified solid wood legs



ver. B rich

1. polyurethane foam / high resilient polyurethane foam
2. silicone balls
3. pocket springs
4. FSC® certified solid wood and wood based elements
5. fabric