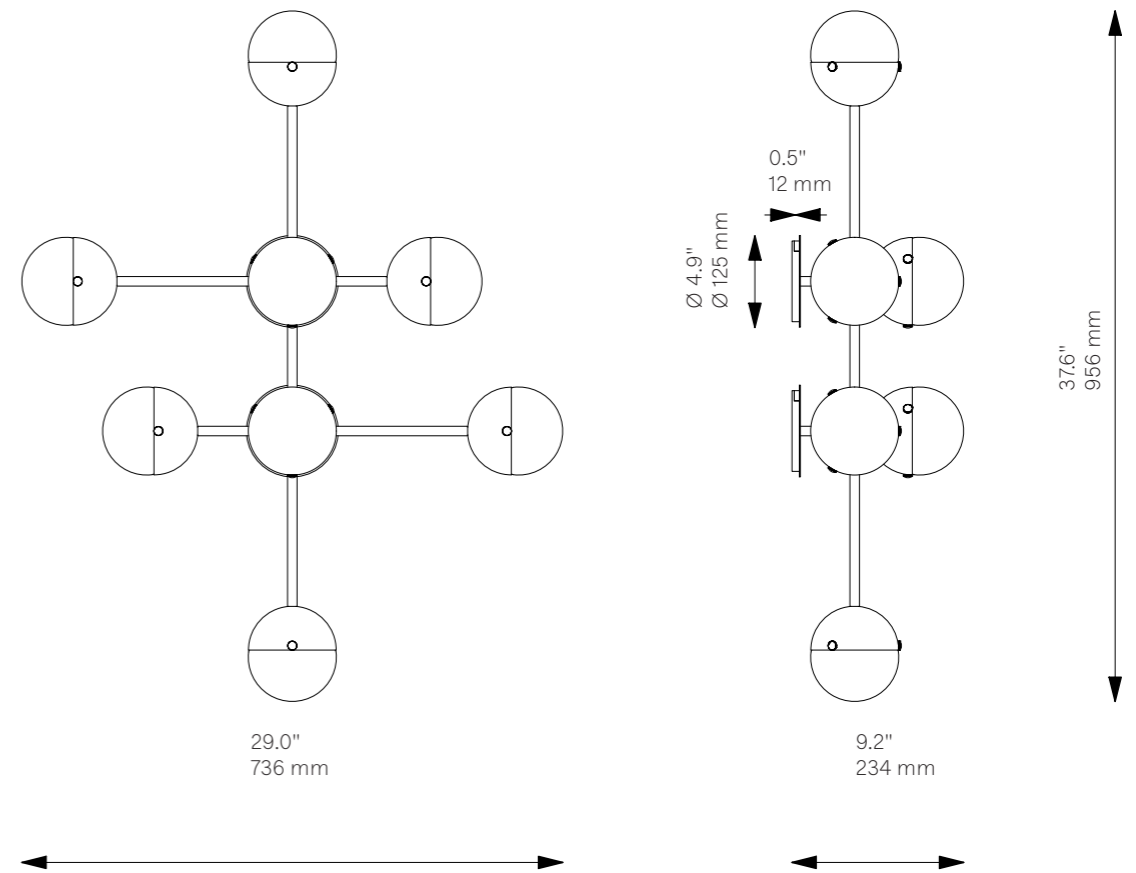




# Molecule 8

Wall Sconce - B331

Molecule Collection



## Glass Lampshades

8 x Ø 120 mm / Ø 4.7"

<sup>1</sup> Borosilicate Transparent Glass

<sup>2</sup> Borosilicate Transparent Glass (sandblasted inside)

## Weight

6.4 kg / 14.1 lb

## Light Source

LED Bulb (included) 8 x 5 W

Max Wattage 8 x 10 W

Total Lumens 3600-4000 lm

Color Temperature 2700 K

Bulb Base E27 / E26

Dimmable with electronic

Dimmers only (ELV, trailing edge)

## Finishes

LBB / Lacquered Burnished Brass

BGM / Black Gunmetal

PN / Polished Nickel

## CE/UL Certified

CE/UL

## Ingress Protection

IP 20