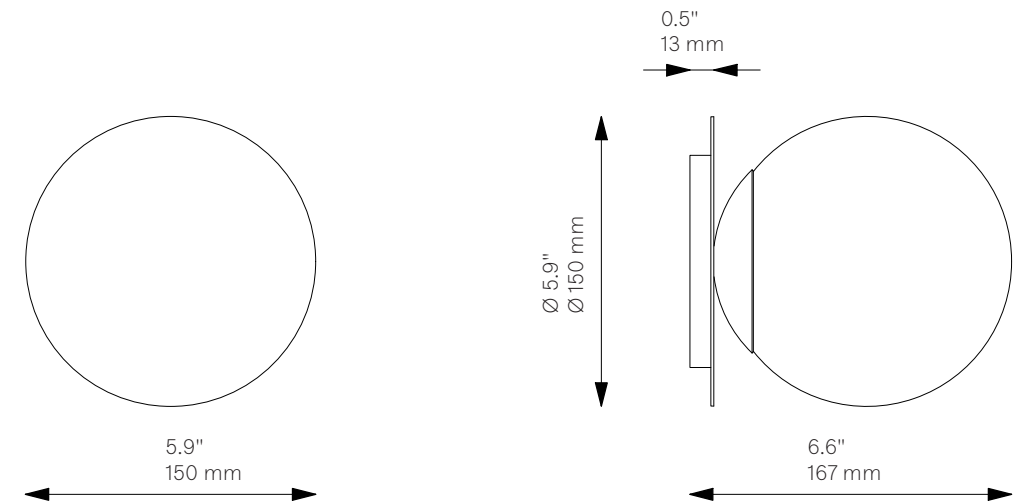




Pulsar 150^{New}

Wall Sconce - B648

Globe Collection



Glass Lampshades

1 x Ø 150 mm / Ø 5.9"
Soda Lime Triplex Opal Glass
Soda Lime Marble Glass
Borosilicate Transparent Glass

Weight

1 kg / 2.2 lb

Light Source

LED Bulb (included) 1 x 5 W
Max Wattage 1 x 10 W
Total Lumens 450-500 lm
Color Temperature 2700 K
Bulb Base E14 / E12

Dimmable with electronic
dimmers only (ELV, trailing edge)

Finishes

LBB / Lacquered Burnished Brass
BGM / Black Gunmetal
PN / Polished Nickel (extra charge of 25%)

CE/UL Certified

CE/UL

Ingress Protection

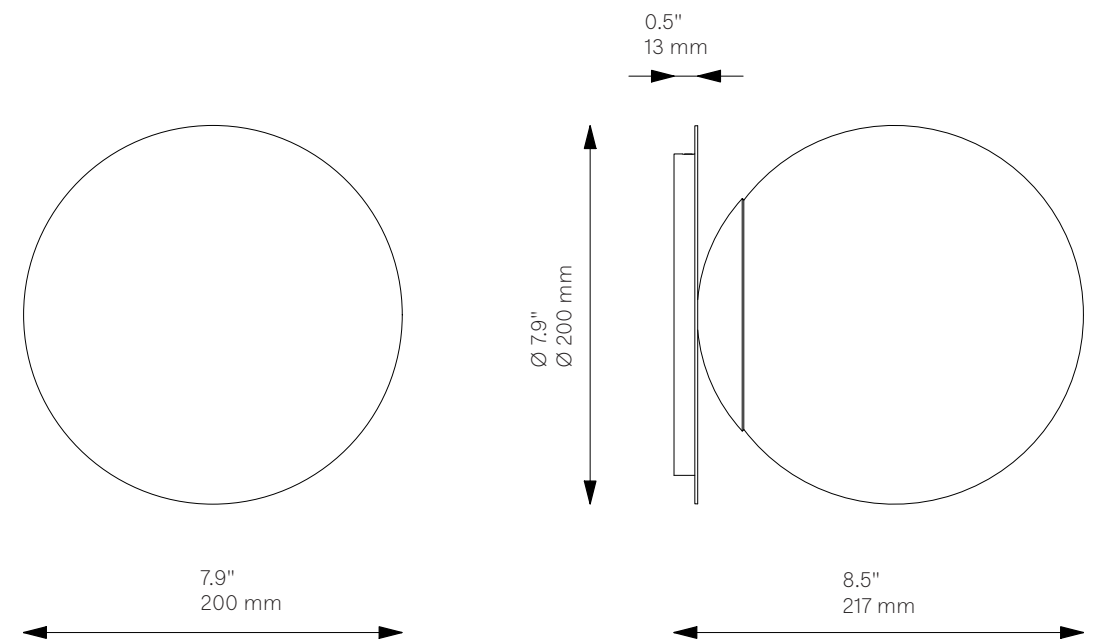
IP 20



Pulsar 200^{New}

Wall Sconce - B649

Globe Collection



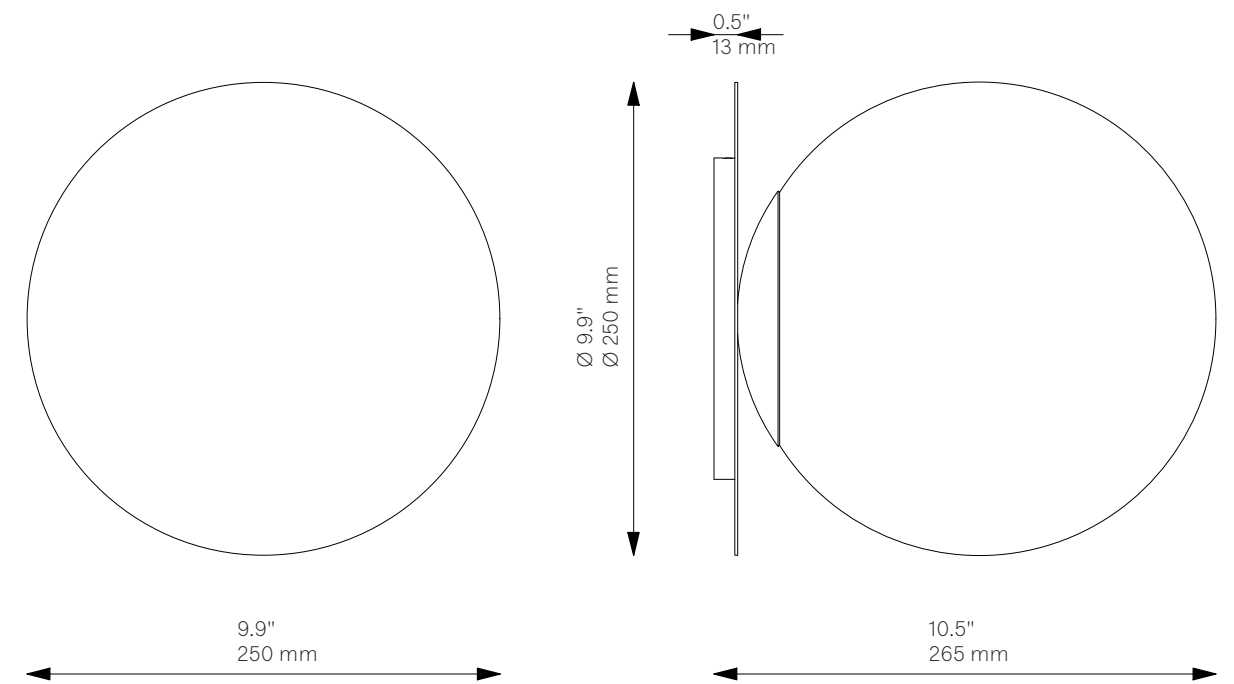
Glass Lampshades	1 x Ø 200 mm / Ø 7.9" Soda Lime Triplex Opal Glass Soda Lime Marble Glass Borosilicate Transparent Glass
Weight	2.3 kg / 5 lb
Light Source	LED Bulb (included) 1 x 5 W Max Wattage 1 x 10 W Total Lumens 450-500 lm Color Temperature 2700 K Bulb Base E14 / E12 Dimmable with electronic dimmers only (ELV, trailing edge)
Finishes	LBB / Lacquered Burnished Brass BGM / Black Gunmetal PN / Polished Nickel (extra charge of 25%)
CE/UL Certified	CE/UL
Ingress Protection	IP 20



Pulsar 250^{New}

Wall Sconce - B650

Globe Collection



Glass Lampshades

1 x Ø 250 mm / Ø 9.9"
Soda Lime Triplex Opal Glass
Soda Lime Marble Glass
Borosilicate Transparent Glass

Weight

2.8 kg / 6.2 lb

Light Source

LED Bulb (included) 1 x 5 W
Max Wattage 1 x 10 W
Total Lumens 450-500 lm
Color Temperature 2700 K
Bulb Base E14 / E12

Dimmable with electronic
dimmers only (ELV, trailing edge)

Finishes

LBB / Lacquered Burnished Brass
BGM / Black Gunmetal
PN / Polished Nickel (extra charge of 25%)

CE/UL Certified

CE/UL

Ingress Protection

IP 20