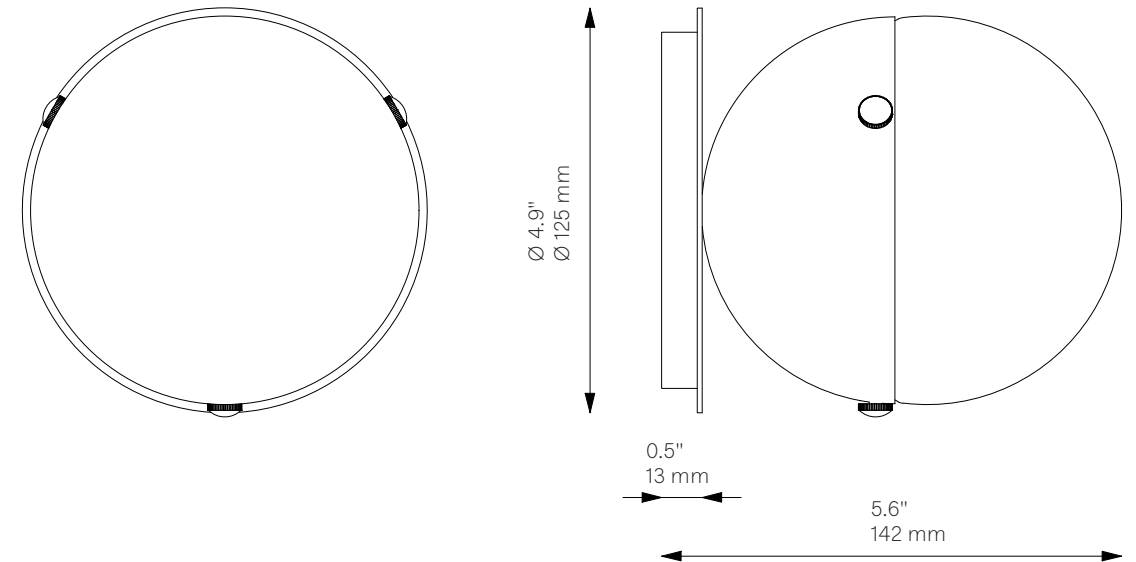




Molecule 1^{New}

Wall Sconce - B657

Molecule Collection



Glass Lampshades	1 x Ø 120 mm / Ø 4.7" Borosilicate Transparent Glass Borosilicate Transparent Glass (sandblasted inside)
Weight	0.9 kg / 2.0 lb
Light Source	LED Bulb (included) 1 x 5 W Max Wattage 1 x 10 W Total Lumens 450-500 lm Color Temperature 2700 K Bulb Base E27 / E26 Power Supply 230/120V CE/UL Dimmable with electronic dimmers only (ELV, trailing edge)
Finishes	LBB / Lacquered Burnished Brass BGM / Black Gunmetal
CE/UL Certified	CE/UL
Ingress Protection	IP 20