

# PC

---

Design by Pierre Charpin



PC Task Light is a refined and precisely engineered task lamp with a polycarbonate head and aluminium arms and base. The functional design conceals gas springs that enable the arms and head to hold their position wherever they are moved, and features an integrated touch dimmer switch that provides control over the level of brightness. The PC Task Light is available in a variety of colour options.

## PRODUCT DETAILS

- / Part of a progressive and technologically advanced lighting collection.
- / A family of multifunctional task lamps that can be used
- / free standing, desk, clamp and wall mounted.
- / CE approved.
- / Integrated LED module included with an estimated life span of 25.000 hours of use.
- / Integrated touch dimmer switch.
- / Concealed gas springs.
- / The lamp is suitable for both private and office environments.
- / Qualified for contract use as a task light.

# HAY

**MATERIAL**

LAMP BODY / Extruded aluminium arms with die cast aluminium joints.

LAMP SHADE / Injection moulded polycarbonate (PC).

LAMP BASE / Injection moulded ABS cover with internal sand cast iron counter weight. Powder coated steel base with foam pad protector underneath.

CORD / Silicone cable.

**COLOUR**



**COLOUR**

Please note that the colour codes are indicative.

Available in 4 different colours

- / Soft black (RAL 9004)
- / Ash grey (RAL 7035)
- / Leaf green (Pantone 350C)
- / Warm yellow (RAL 1023)

Note that fixings, gaskets, soft TPE components and the cable are black for all colour options.

**COLOUR COMBINATIONS**

COLOUR	Double arm with table base	Double arm with clamp	Double arm with wall bracket	Double arm with table insert	Single arm with wall bracket	Single arm with clamp
Soft black	●	●	●	●	●	●
Ash grey	●	●	●	●	●	●
Leaf green	●					
Warm yellow						



**DIMENSIONS / DOUBLE ARM WITH TABLE BASE**

/ WIDTH 14 cm / 5.5"  
 / DEPTH 55 cm / 21.7"  
 / HEIGHT 42 cm / 16.5"

**DIMENSIONS / DOUBLE ARM WITH CLAMP**

/ WIDTH 14 cm / 5.5"  
 / DEPTH 55 cm / 21.7"  
 / HEIGHT 60,5 cm / 23.8"

**DIMENSIONS / DOUBLE ARM WITH WALL BRACKET**

/ WIDTH 14 cm / 5.5"  
 / DEPTH 55 cm / 21.7"  
 / HEIGHT 45 cm / 17.7"

**DIMENSIONS / DOUBLE ARM WITH TABLE INSERT**

/ WIDTH 14 cm / 5.5"  
 / DEPTH 55 cm / 21.7"  
 / HEIGHT 42,5 cm / 16.7"

**DIMENSIONS / SINGLE ARM WITH WALL BRACKET**

/ WIDTH 14 cm / 5.5"  
 / DEPTH 9 cm / 3.5"  
 / HEIGHT 61 cm / 24"

**DIMENSIONS / SINGLE ARM WITH CLAMP**

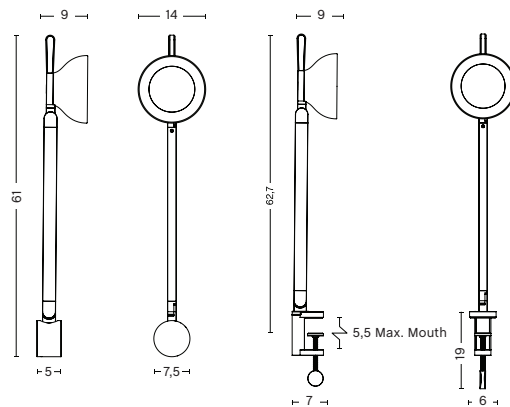
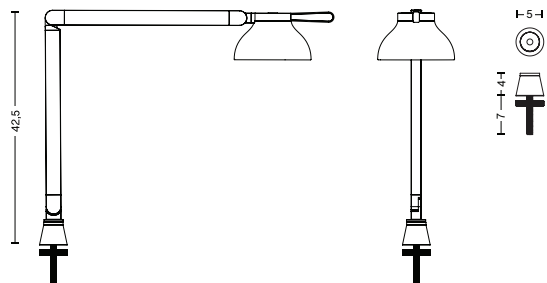
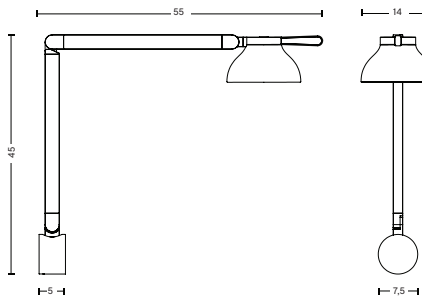
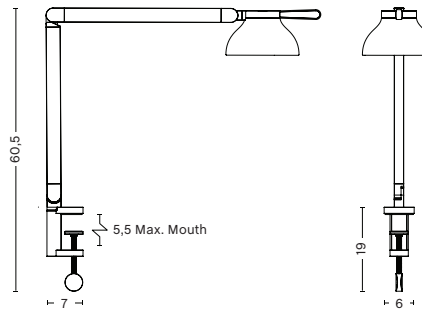
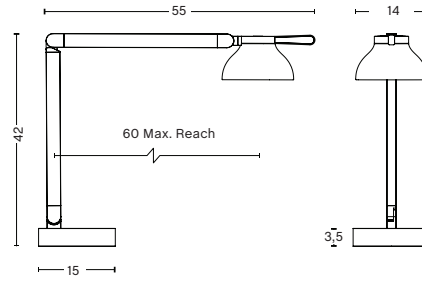
/ WIDTH 14 cm / 5.5"  
 / DEPTH 9 cm / 3.5"  
 / HEIGHT 62,7 cm / 24.7"

**CONFIGURATIONS**

BASE	ARM	
	Double arm body	Single arm body
Free standing table base	●	
Clamp	●	●
Wall bracket	●	●
Table insert	●	

**PLEASE NOTE**

Following variants and colours will be available in stock from March 2018 / Single Arm Body, Clamp, Wall Bracket and Warm yellow.



## TECHNICAL SPECIFICATIONS

- / LIGHT SOURCE / LED integrated
- / POWER\* / 5,7W
- / FLUX\* (lumens) / 363LM
- / CCT\* (kelvin) / 3000K
- / CRI\* (1-100) / 85
- / DIMMABLE / Yes
  
- / POWER SUPPLY / 220-240V AC at 50-60Hz  
UK/EU plug mounted adapter
- / CORD LENGTH / 200 cm
- / SWITCH / Touch dimmer intergrated

\*Measurements taken from production luminaire

## CERTIFICATIONS

- / CE approved: This product has been assessed and complies with the essential requirements of the relevant European directives.

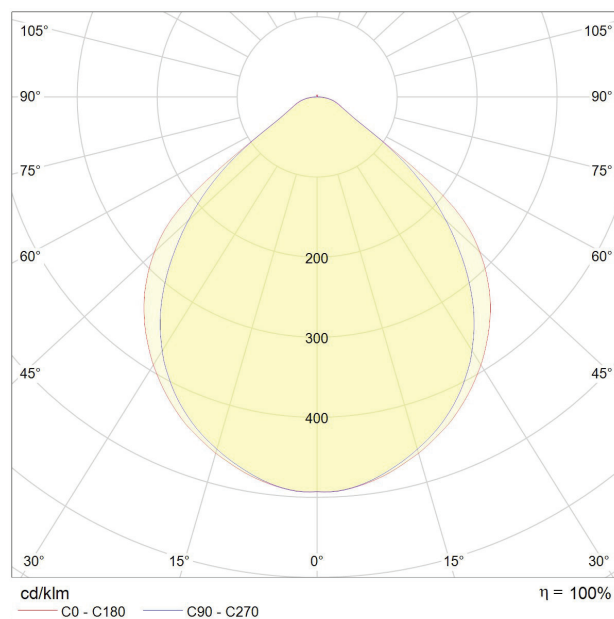


Tested according to the following European EN / IEC standards which relate specifically to electrical lighting

products including:

- / EN 55015:2013 (radio disturbance)
- / EN 61547:2009 (EMC immunity)
- / EN 61000-3-2:2014 (EMC compatibility)
- / EN 61000-3-3:2013 (EMC compatibility)
- / EN 60598-2-4:1997 (portable luminaires)
- / EN 60598-1:2015 (general requirements)
- / EN 62493:2010 (human exposure to EMC)

## PHOTOMETRICS



## DOWNLOADS

2D files, 3D files and packshots will soon be available from our imagebank at hay.dk

Care and maintenance instructions and CE attestation of conformity certificates are available at hay.dk

An overview of the complete Hay lighting collection and accessories, can be found at [hay.dk/en-gb/products/lighting/all-lighting](http://hay.dk/en-gb/products/lighting/all-lighting)

# HAY

HAY Havnen 1 8700 Horsens Denmark +45 4282 0282 / [www.hay.dk](http://www.hay.dk)