

FRITZ HANSEN



N02™ RECYCLE
PRODUCT FACT SHEET

N02™ RECYCLE

A crease in the chair's back is inspired by a folded piece of paper on the designer's studio table and provides extra support for the upper and lower back. Seven colour options are inspired by Scandinavian nature and, along with multiple base options, make N02 Recycle particularly applicable for work, meeting and dining arrangements.

PRODUCT TYPE

Chair / Armchair

ENVIRONMENT

Indoor

DESIGNER / YEAR OF DESIGN

nendo, 2019

ABOUT THE DESIGNER

Okii Sato - founder of nendo design studio was born in Toronto, Canada and later moved to Tokyo, where he took a M.A. in Architecture at Waseda University. In 2002, he founded the Nendo studio and today Nendo have their name on both architectural projects as well as grand furniture designs worldwide. For their work, nendo has been awarded with Dezeen, Wallpaper and Red Rot Design Awards among many more throughout the studio's lifetime.

MODELS

N02-10: Chair w. tube legs (stackable)
 N02-11: Armchair w. tube legs (stackable)
 N02-20: Chair w. sledge base (stackable)
 N02-21: Chair w. sledge base (stackable)
 N02-30: Chair w. swivel base and castors
 N02-31: Armchair w. swivel base and castors
 N02-40: Counter stool (stackable)
 N02-50: Bar stool (stackable)

MATERIAL

Shell: The shell is made of 100% recycled plastic and is 100% recyclable.

Base: The tube legs comes in powder coated or chromed steel w. black plastic gliders. The sledge base is available in chromed steel w. black plastic gliders. The swivel base is made in polished aluminium w. black plastic castors.

The chair has not been treated with any biocidal products.

Materials in %:

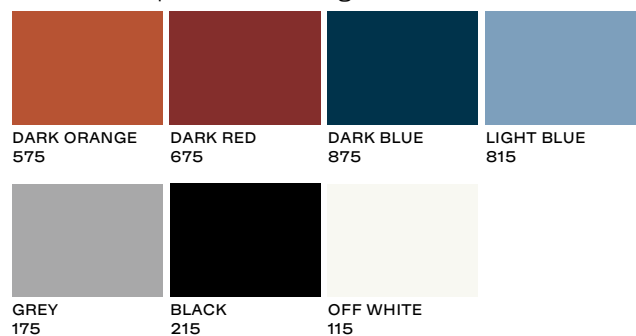
N02-10: PP 45%, Steel 55%, TPE <1%, PA <1%
 N02-11: PP 51%, Steel 49%, TPE <1%, Alum. <1%
 N02-20: PP 45%, Steel 55%, TPE <1%, PA <1%
 N02-21: PP 45%, Steel 55%, TPE <1%, PA <1%
 N02-30: PP 41%, Steel 39%, TPE <1%, Alum. 16%, PA <4%
 N02-31: PP 37%, Steel 46%, TPE <1%, Alum. 14%, PA <3%
 N02-40: PP 42%, Steel 58%, TPE <1%, PA <1%
 N02-50: PP 41%, Steel 59%, TPE <1%, PA <1%

FEATURES

- Linking device for N02-20
- Transport trolley for 10 pcs. for N02-10, N02-11, N02-20 or N02-21
- Seat cushion (N02-70)

COLOURS

The shell and powder coated legs are available in 7 colours:



UPHOLSTERY

The seat cushion is available in the following selection of textiles:



MADE-TO-ORDER

Non-standard configurations (special colours, upholstery etc.) are available upon request at a minimum order quantity.

PRODUCTION PROCESS

Plastic: The seat shell and arm pads are made of 100% recycled/recyclable Polypropylene (PP). Larger plastic components are identified with a recycling code to secure a correct sorting for recycling.

Metals: Bases in steel are either high gloss chromed or powder coated. Aluminium bases are polished aluminium. Steel (powder coated and chromed) contains app. 50% recycled material and aluminium contains app. 95% recycled material. Production scrap is collected for recycling.

Seat cushion: Made with HR foam and upholstered with Just fabric made of 98% post-consumer recycled polyester. The fabric Just is certified with Standard 100 by OEKO-TEX® and the EU Ecolabel.

CERTIFICATION

- N02™ Recycle is EU Ecolabel certified:
All the N02™ Recycle chair models can be obtained with the EU Ecolabel certification (The Flower). The EU Ecolabel has strict requirements for the environmental impact from raw materials to production of the chair to disposal and recycling.

All EU Ecolabel certified N02™ Recycle chairs, has powder coated steel parts. No chrome is present at any certified chairs.

- N02™ Recycle is GreenGuard Gold certified

For more information about environment and manufacturing processes, please download our environmental information sheet at: fritzhansen.com

TEST

- EN 16139 L1 General Contract Use for strength, durability, stability and safety
- EN 1022 for stability

The N02™ Recycle chair is intended for daily use by persons up to 110 kg and occasional use by heavier persons.

WEIGHT

N02-10: 5,8 kg / 12.9 lb
N02-11: 6,4 kg / 14.1 lb
N02-20: 7,2 kg / 15.9 lb
N02-21: 7,2 kg / 15.9 lb
N02-30: 7,7 kg / 17.0 lb
N02-31: 8,8 kg / 19.4 lb
N02-40: 7,5 kg / 16.5 lb
N02-50: 7,8 kg / 17.2 lb

COUNTRY OF ORIGIN

Poland

PRE-ASSEMBLED

Yes

PACKAGING

Recycled cardboard box and genuine foam. All packaging materials can be recycled.

CLEANING AND CARE

Find recommendations for cleaning and care at: fritzhansen.com/maintenance

REPAIR, DISPOSAL AND REUSE

In the case of disposal the chair can be disassembled into different parts for recycling, special handling and repair. Wheels and columns requires special handling because of embedded metal.

WARRANTY

Fritz Hansen provides a five-year warranty on standard products against defects in materials and workmanship. An extended warranty of up to twenty years is provided on selected products provided they have been registered online on fritzhansen.com/my-fh.

Standard: 5 years (Lacquer on base, Seat cushion, Height-adjustable, Swivel, Castors)

Extended: 10 years (Base, Shell)

On any material, fabric or leather, which is not listed in our price list on a specific product, the standard warranty is 2 years.

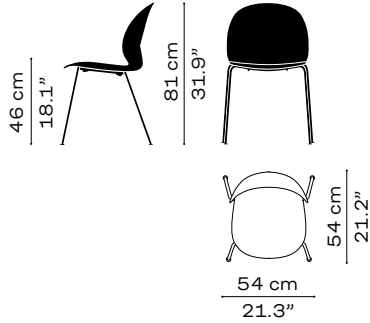
Additional warranty conditions can be found at: fritzhansen.com/warranty

SPARE PARTS

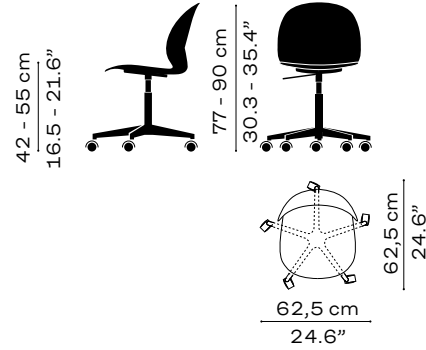
A range of spare parts can be found on: fritzhansen.com/en/Categories/Products/Spareparts

DIMENSIONS

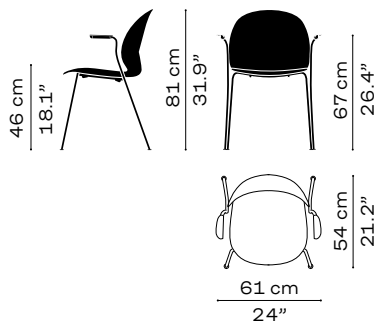
N02-10



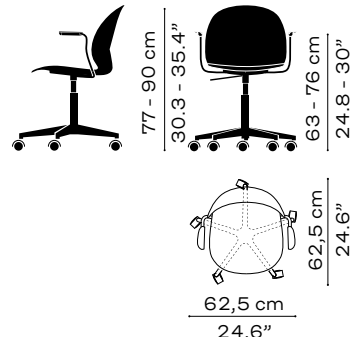
N02-30



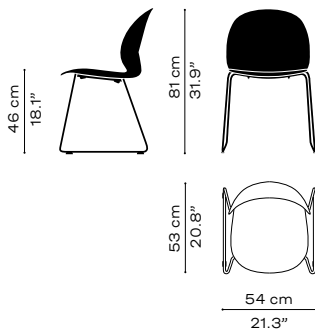
N02-11



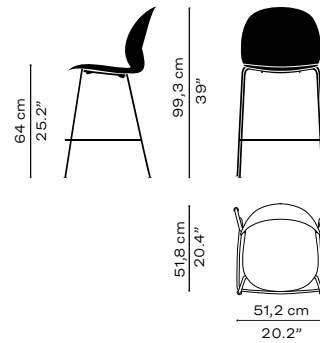
N02-31



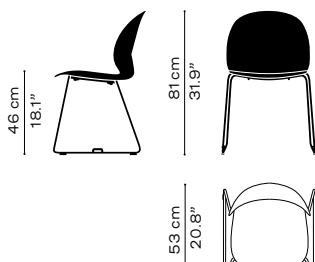
N02-20



N02-40



N02-21



N02-50

