

FRITZ HANSEN



FH3605™
PRODUCT FACT SHEET

FH3605™

The FH3605™ or “Writing Desk”, in Arne Jacobsen's own words, expresses itself through minimalist lines and beautiful materials to create a modern and elegant working space. An optional document drawer that sits neatly under the top stores items close to hand. The simplified, open silhouette is functional and convenient, with space to be productive yet with a reduced footprint that makes the desk ideal for use in smaller rooms.

PRODUCT TYPE

Desk

ENVIRONMENT

Indoor

DESIGNER / YEAR OF DESIGN

Arne Jacobsen, 1955

ABOUT THE DESIGNER

The collaboration between Arne Jacobsen and Fritz Hansen dates back to 1934. It was not until 1952 however that the team got its breakthrough with the Ant™. It was succeeded by Series 7™ in 1955, thereby enabling both Jacobsen and Fritz Hansen to write their names into furniture history.

MODELS

FH3605DD (Desk with drawer)
 FH3605DE (Desk without drawer)
 FH3605DR (Drawer)

MATERIAL

Tabletop: Veneered MDF, solid ash or walnut edgeband
 Base: Steel (chromed or powder coated)
 Glides: Solid ash or Walnut, hytrel 5526
 Drawer: Solid ash or Walnut

Materials in %:

FH3605DE:
 Veneered MDF: 73%
 Steel: 27%

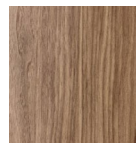
FH3605DD:
 Veneered MDF: 68%
 Steel: 26%
 Solid wood: 6%

OPTIONS

- The table is available in 2 heights: 72 cm/28.4" (standard) or 74 cm/29.1"
- Drawer can be installed both left or right side (only one drawer can be installed)
- Drawer can be ordered and installed at any time

COLOURS

The tabletop and drawer with matching glides are available in 2 variants:



LACQUERED
WALNUT



BLACK
COLOURED
ASH

The steel base is available in 2 variants:



CHROMED



POWDER COATED
BLACK

MADE-TO-ORDER

N/A

CERTIFICATION

- FSC™ FSC-C120451: The wood used for FH3605™ is FSC-certified (FSC MIX). The FSC-certification ensures the wood is from responsible and environmentally managed forests that preserve the natural surroundings and support the local community.

For more information about environment and manufacturing processes, please visit fritzhanzen.com and download our environmental information sheet.

TEST

- Strength and durability: EN 15372:2016
 Test level 2 General Contract use
- Stability: EN 1730:2012

WEIGHT

FH3605DE: 27 kg / 59.5 lb
 FH3605DD: 29 kg / 64.0 lb

COUNTRY OF ORIGIN

Latvia

PRE-ASSEMBLED

No

PACKAGING

- The tabletop is packed in a cardboard box with cardboard and PE-foam protection
- The base is packed in a cardboard box with cardboard and PE-foam protection
- The drawer is packed in a cardboard box with PE-foam protection. All packaging material can be recycled

CLEANING AND CARE

Find recommendations for cleaning and care at: fritzhanzen.com/maintenance

REPAIR, DISPOSAL AND REUSE

In case of repair and disposal all parts can be disassembled and replaced/disposed accordingly. Check local regulations for recycling options and whether there is potential for reuse.

WARRANTY

Fritz Hansen provides a five-year warranty on standard products against defects in materials and workmanship. An extended warranty of up to twenty years is provided on selected products provided they have been registered online on fritzhanzen.com/my-fh.

Standard: 5 years (Lacquer on base)

Extended: 10 years (Base, Tabletop, Drawer)

On any material, fabric or leather, which is not listed in our price list on a specific product, the standard warranty is 2 years.

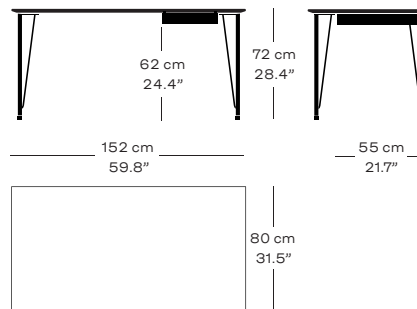
Additional warranty conditions can be found at: fritzhanzen.com/warranty

SPARE PARTS

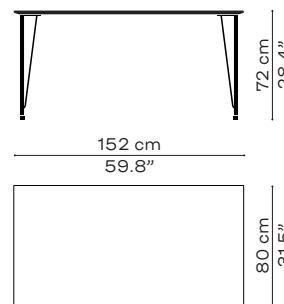
Inquiries regarding spare parts can be sent to: salesupport@fritzhanzen.com

DIMENSIONS

FH3605DD



FH3605DE



FH3605DR

