

FRITZ HANSEN



OXFORD™ CHAIR
PRODUCT FACT SHEET

OXFORD™ CHAIR

Fritz Hansen unveils a new and improved version of Arne Jacobsen's Oxford™ chair, originally designed for professors at St. Catherine's College in Oxford, England and now reimagined for a contemporary audience.

While the reworked chair retains the same silhouette, available with a low or medium backrest, it has been updated with lumbar support, a longer seat for a more natural sitting posture, multiple base options and a new coherent standard column height that enables armrest configurations to neatly tuck under tabletops.

Offered in different base colour options and a range of upholstery including leather and textile in new colours, the Oxford™ chair is equally at home in private spaces as in the office or a public place.

PRODUCT TYPE

Chair

ENVIRONMENT

Indoor

DESIGNER/ YEAR OF DESIGN

Arne Jacobsen, 1965

DESIGNER

The collaboration between Arne Jacobsen and Fritz Hansen dates back to 1934. It was not until 1952 however that the team got its breakthrough with the Ant™. It was succeeded by Series 7™ in 1955, thereby enabling both Jacobsen and Fritz Hansen to write their names into furniture history.

MODELS

LOW BACK

- **3141T:** Fixed seat height, toes, 4-star base
- **3171T:** Fixed seat height, glides or toes, 5-star base
- **3191T:** Height and tilt adjustable, glides or toes, 5-star base
- **3171W:** Fixed seat height, castors, 5-star base
- **3191W:** Height and tilt adjustable, castors, 5-star base
- **3241T:** Fixed seat height, toes, arms, 4-star base
- **3271T:** Fixed seat height, glides or toes, arms, 5-star base
- **3291T:** Height and tilt adjustable, glides or toes, arms, 5-star base
- **3271W:** Fixed seat height, castors, arms, 5-star base
- **3291W:** Height and tilt adjustable, castors, arms 5-star base

MEDIUM BACK

- **3143T:** Fixed seat height, toes, 4-star base
- **3173T:** Fixed seat height, glides or toes, 5-star base
- **3193T:** Height and tilt adjustable, glides or toes, 5-star base
- **3173W:** Fixed seat height, castors, 5-star base
- **3193W:** Height and tilt adjustable, castors, 5-star base
- **3243T:** Fixed seat height, toes, arms, 4-star base
- **3273T:** Fixed seat height, glides or toes, arms, 5-star base
- **3293T:** Height and tilt adjustable, glides or toes, arms, 5-star base
- **3273W:** Fixed seat height, castors, arms, 5-star base
- **3293W:** Height and tilt adjustable, castors, arms 5-star base

MATERIAL

Shell: The shell is made of 7 layers of birch veneer. The shell is upholstered with HR foam and covered with fabric or leather.

Base & armrests: The base and armrests are made of satin polished aluminium.

Chairs with 4-star base and a fixed seat height are provided with toes in black synthetic material.

Chairs with 5-star base with height adjustment and tilt mechanism or fixed height are provided with the possibility of glides, toes or double castors with aluminium or black plastic housing.

Materials in %:

Models with leather, castors and no armrests:

Wood: 34%, Leather: 12%, Steel: 26%, Aluminium: 22%, HR foam: 6%

Models with leather, castors and armrests:

Wood: 26%, Leather: 10%, Steel: 26%, Aluminium: 31%, HR foam: 5%

Models with fabric, castors and no armrests:

Wood: 37%, Fabric: 4%, Steel: 28%, Aluminium: 24%, HR foam: 7%

Models with fabric, castors and armrests:

Wood: 28%, Fabric: 3%, Steel: 29%, Aluminium: 35%, HR foam: 5%

Models with glides or toes and no armrests:

Wood: 40%, Leather: 7%, Steel: 27%, Aluminium: 22%, HR foam: 2%

Models with glides or toes and armrests:

Wood: 26%, Fabric: 3%, Steel: 29%, Aluminium: 35%, HR foam: 5%

FEATURES

- Soft black plastic armpads for chairs upholstered in textile
- Matching leather armpads for chairs upholstered in leather
- Automatic return for chairs with fixed height
- Soft or hard castors with or without brakes
- Five-star base with or without tilt mechanism

COLOURS/BASE VARIANTS

The base is available in 4 variants:

Chrome, Satin polished aluminum, Black, Warm Graphite and Brown Bronze.



CHROME

SATIN
POLISHED
ALUMINIUMBLACK
190WARM
GRAPHITE
180
NEWBROWN
BRONZE
390
NEW**UPHOLSTERY OPTIONS**

The upholstery for the Oxford™ is available in the following selection of fabric and leather types:

Fabric: Canvas, Capture, Christianshavn, Comfort, Diablo, Fame, Remix, Tonus, Divina, Divina Melange, Divina md, Fiord, Hallingdal, Steelcut, Steelcut Trio, Sunniva, Re-wool, Vidar, Sonar.

Leather: Essential, Soft, Grace, Embrace, Rustik, Natural

PRODUCTION PROCESS

Shell: The shell is made of Laminated wood and consists of 7 layers of birch veneer.

Base & armrests: The base and armrests are made of die cast aluminum.

MADE-TO-ORDER

Non-standard configurations (special colours, upholstery etc.) are available upon request at a minimum order quantity.

TESTS

EN 16139 (EN 1728) Test Level 1 General Contract use for strength and durability

CERTIFICATIONS AND DECLARATIONS

GreenGuard: Oxford™ is GreenGuard Gold certified.

WEIGHT**LOW BACK**

- 3141T: 8,3 KG / 18.3 LB
- 3171T: 8,6 KG / 19 LB
- 3191T: 10,8 KG / 23.8 LB
- 3171W: 9,4 KG / 20.7 LB
- 3191W: 11,5 KG / 25.4 LB
- 3241T: 11 KG / 23.4 LB
- 3271T: 10,9 KG / 23.7 LB
- 3291T: 13,2 KG / 29.1 LB
- 3271W: 11,7 KG / 25.7 LB
- 3291W: 13,8 KG / 30.8 LB

MEDIUM BACK

- 3143T: 8,9 KG / 19.5 LB
- 3173T: 9,2 KG / 20.3 LB
- 3193T: 11,4 KG / 25 LB
- 3173W: 9,9 KG / 17.6 LB
- 3193W: 12,1 KG / 26.6 LB
- 3243T: 11,1 KG / 24.6 LB
- 3273T: 11,5 KG / 25.4 LB
- 3293T: 13,6 KG / 30 LB
- 3273W: 12,2 KG / 26.9 LB
- 3293W: 14,3 KG / 31.6 LB

COUNTRY OF ORIGIN

Poland

PRE-ASSEMBLED

Yes

PACKAGING

The chair is covered with a plastic bag and shipped in a cardboard box with genuine foam inside. All packaging material can be recycled.

CLEANING AND CARE

Find recommendations for cleaning and care at: fritzhansen.com/maintenance

REPAIR, DISPOSAL AND REUSE

In case of repair and disposal the chair can be disassembled into parts. The steel, plastic and wood parts can be recycled. Check local regulations for recycling options and whether there is potential for reuse.

WARRANTY

Fritz Hansen provides a five-year warranty on standard products against defects in materials and workmanship. An extended warranty of up to twenty years is provided on selected products provided they have been registered online on fritzhansen.com/my-fh.

Standard (5 years):

Powder coated base, Fabric, Leather: Soft

Extended (10 years):

Aluminium base, Shell, Leather: Grace, Embrace, Rustik, Natural

On any material, fabric or leather, which is not listed in our price list on a specific product, the standard warranty is 2 years.

Additional warranty conditions can be found at:

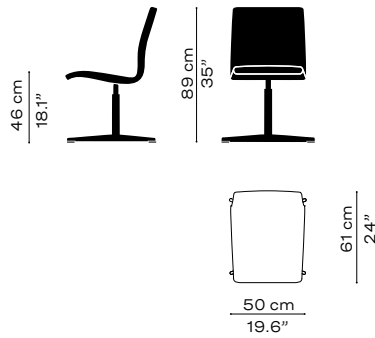
fritzhansen.com/warranty

SPARE PARTS

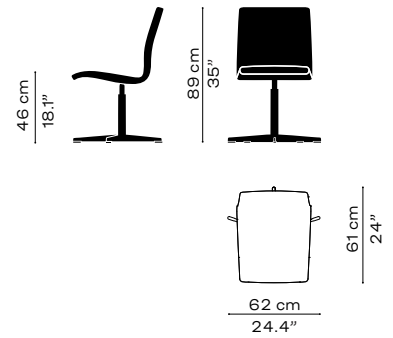
Inquiries regarding spare parts can be sent to: salesupport@fritzhansen.com

DIMENSIONS (1/3)

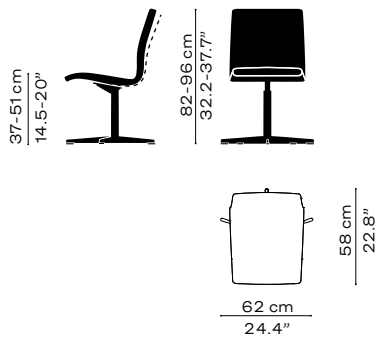
3141T
 LOW BACK
 4 STAR BASE
 FIXED SEAT HEIGHT
 WEIGHT: 8,3 KG / 18.3 LB



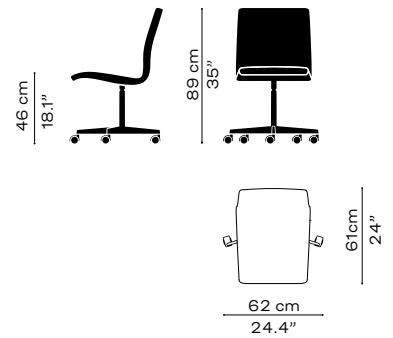
3171T
 LOW BACK
 5 STAR BASE
 FIXED SEAT HEIGHT
 WEIGHT: 8,67 KG / 19 LB



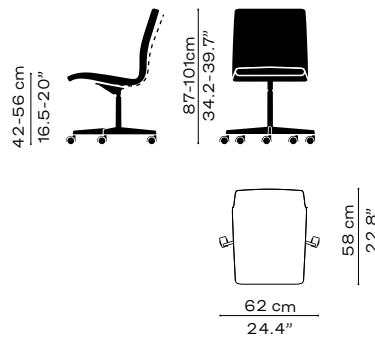
3191T
 LOW BACK
 5 STAR BASE
 HEIGHT ADJUSTABLE
 TILTING MECHANISM
 WEIGHT: 10,8 KG / 23.8 LB



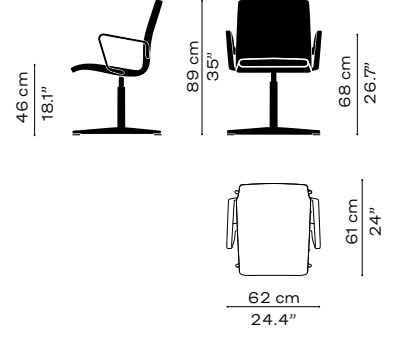
3171W
 LOW BACK
 5 STAR BASE ON CASTORS
 FIXED SEAT HEIGHT
 WEIGHT: 9,7 KG / 20.7 LB



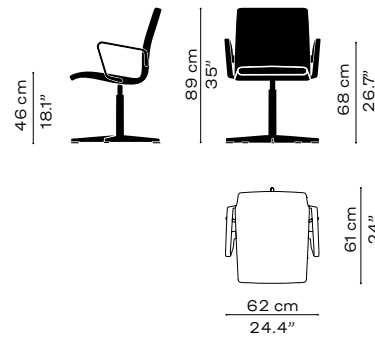
3191W
 LOW BACK
 5 STAR BASE ON CASTORS
 HEIGHT ADJUSTABLE
 TILTING MECHANISM
 WEIGHT: 11,5 KG / 25.4 LB



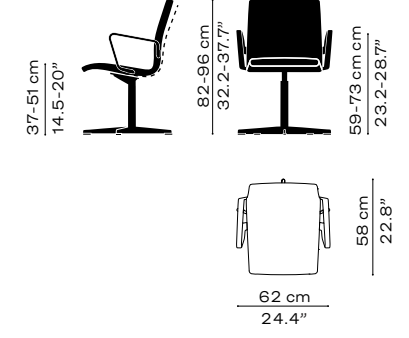
3241T
 LOW BACK
 4 STAR BASE
 FIXED SEAT HEIGHT
 WEIGHT: 10,6 KG / 23.4 LB



3271T
 LOW BACK
 5 STAR BASE
 FIXED SEAT HEIGHT
 WEIGHT: 10,96 KG / 23.7 LB

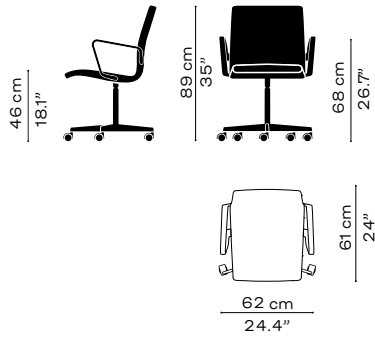


3291T
 LOW BACK
 5 STAR BASE
 HEIGHT ADJUSTABLE
 TILTING MECHANISM
 WEIGHT: 13,2 KG / 29.1 LB

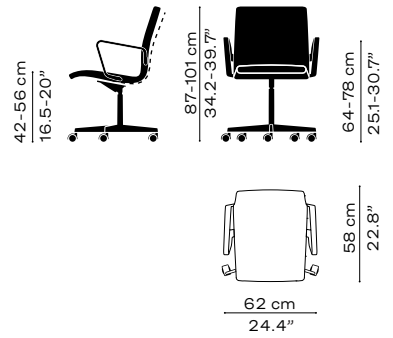


DIMENSIONS (2/3)

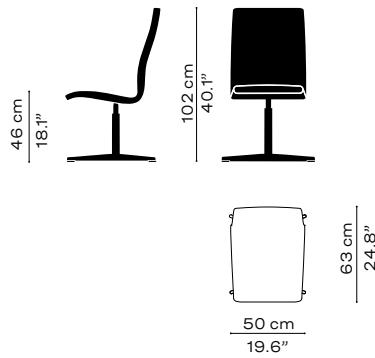
3271W
 LOW BACK
 5 STAR BASE ON CASTORS
 FIXED SEAT HEIGHT
 WEIGHT: 11,67 KG / 25.7 LB



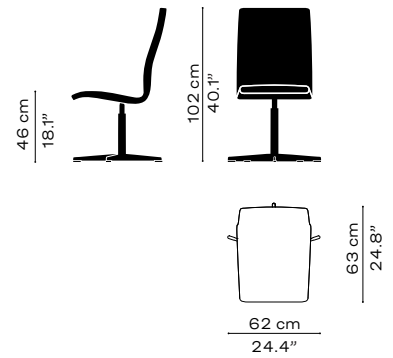
3291W
 LOW BACK
 5 STAR BASE
 FIXED SEAT HEIGHT
 WEIGHT: 8,67 KG / 19 LB



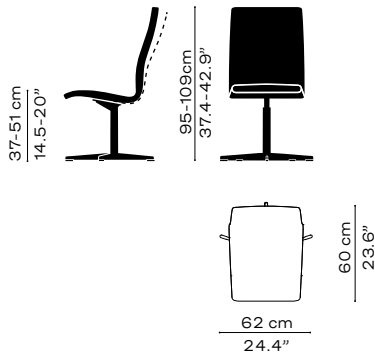
3143T
 MEDIUM BACK
 FIXED SEAT HEIGHT
 4 STAR BASE
 WEIGHT: 8,85 KG / 19.5 LB



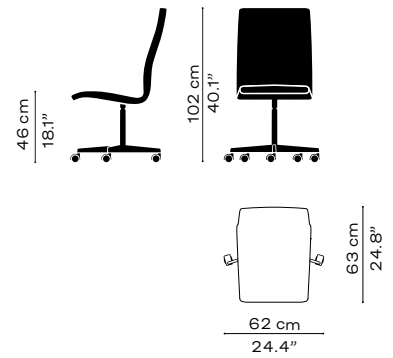
3173T
 MEDIUM BACK
 5 STAR BASE
 FIXED SEAT HEIGHT
 WEIGHT: 9,22 KG / 20.3 LB



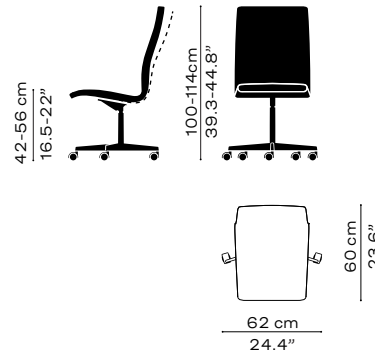
3193T
 MEDIUM BACK
 5 STAR BASE
 HEIGHT ADJUSTABLE
 TILTING MECHANISM
 WEIGHT: 11,35 KG / 25 LB



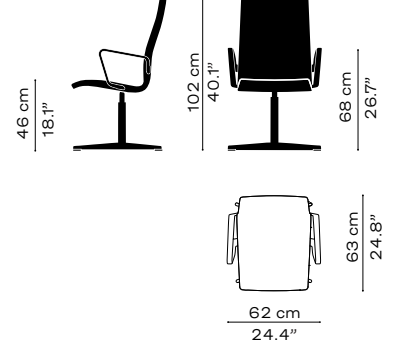
3173W
 MEDIUM BACK
 5 STAR BASE ON CASTORS
 FIXED SEAT HEIGHT
 WEIGHT: 8 KG / 17.6 LB



3193W
 MEDIUM BACK
 5 STAR BASE ON CASTORS
 HEIGHT ADJUSTABLE
 TILTING MECHANISM
 WEIGHT: 12,05 KG / 26.6 LB

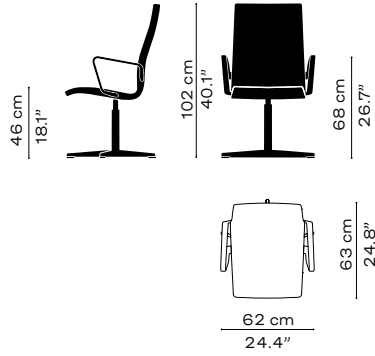


3243T
 MEDIUM BACK
 4 STAR BASE
 FIXED SEAT HEIGHT
 WEIGHT: 11,14 KG / 24.6 LB

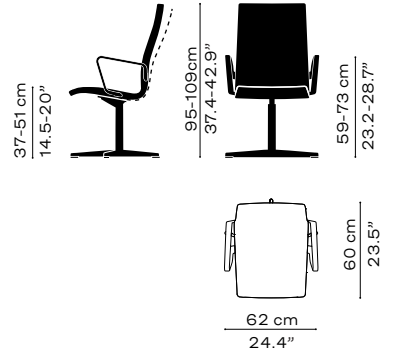


DIMENSIONS (3/3)

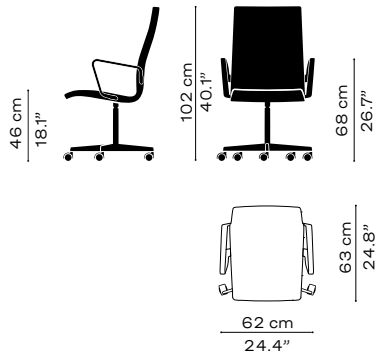
3273T
 MEDIUM BACK
 5 STAR BASE
 FIXED SEAT HEIGHT
 WEIGHT: 11,51 KG / 25.4 LB



3293T
 MEDIUM BACK
 5 STAR BASE
 HEIGHT ADJUSTABLE
 TILTING MECHANISM
 WEIGHT: 13,64 KG / 30 LB



3273W
 MEDIUM BACK
 5 STAR BASE ON CASTORS
 FIXED SEAT HEIGHT
 WEIGHT: 12,22 KG / 26.9 LB



3293W
 MEDIUM BACK
 5 STAR BASE ON CASTORS
 HEIGHT ADJUSTABLE
 TILTING MECHANISM
 WEIGHT: 14,34 KG / 31.6 LB

