

# Audo

COPENHAGEN



HARBOUR SIDE DINING CHAIR, OAK BASE  
Designed by *Norm Architects*



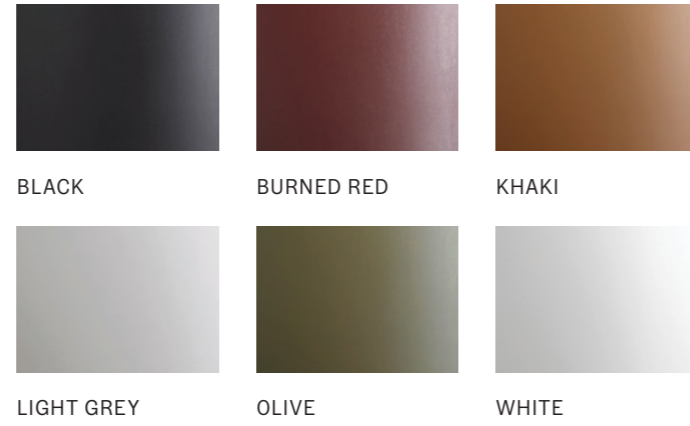
HARBOUR SIDE DINING CHAIR, OAK BASE, PLASTIC  
Designed by *Norm Architects*

Dining chair with upholstered shell set on a powder coated steel base. All Harbour chairs have been upgraded with extra foam in the seat for better sitting comfort, increasing from 15 mm in thickness to 25 mm.



PRODUCT OPTIONS

*Plastic shell*



*Solid oak base*



PRODUCT TYPE  
Dining chair

ENVIRONMENT  
Indoor

COLLI  
1

DIMENSIONS  
H: 81 cm / 31,9"  
SH: 48 cm / 18,8"  
D: 57,5 cm / 22,6"  
W: 50 cm / 19,7"

PRODUCTION PROCESS  
The shell is made from injection moulded polypropylene with fibreglass. Wood base is made of CNC-cut and turned oak parts.

TECHNICAL SPECIFICATIONS

COLOUR

*Shell*  
Black (RAL 9011)  
Burned red (RAL 8015)  
Khaki (RAL 1011)  
Light grey (RAL 9002)  
Olive (RAL 7002)  
White (RAL 9016)

*Oak base*  
Natural oak  
Dark stained oak  
Black oak

GLOSS  
Gloss 10-20

MATERIALS

*Shell*  
85% polypropylene, 15% fibreglass

*Oak base*  
Solid oak with matte lacquer, dark stained oak or black painted oak

WEIGHT  
11 kg / 24,3lb

TEST  
EN1022:2005, L2  
EN16139:2013, L2

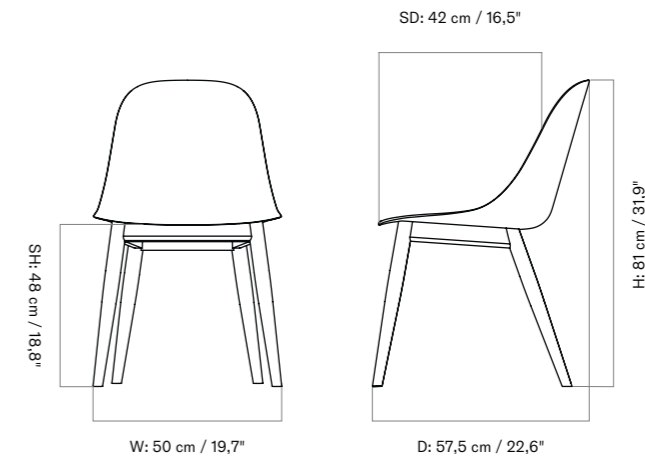
CERTIFICATIONS  
Crafted from FSC certified oak

**Declare.**

PACKAGING TYPE  
Brown box

PACKAGING MEASUREMENTS  
(H × W × D)  
86 cm × 62 cm × 65 cm /  
34" × 24,4" × 25,6"

MATERIALS & MAINTENANCE  
Please visit [audocph.com](http://audocph.com) for materials, care and maintenance instructions.





HARBOUR SIDE DINING CHAIR, OAK BASE, UPHOLSTERED  
Designed by *Norm Architects*

Dining chair with upholstered shell set on a solid oak base. All Harbour chairs have been upgraded with extra foam in the seat for better sitting comfort, increasing from 15 mm in thickness to 25 mm.

PRODUCT OPTIONS

*Shell*

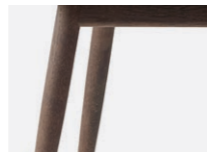


WITH UPHOLSTERY

*Solid oak base*



NATURAL OAK



DARK STAINED OAK



BLACK OAK

*Spec options*

Available in fabrics from our upholstery programme. Standard lead times apply.

For custom upholstery, please refer to the guiding textile/leather consumption:  
COM: 1,27 m / 1,397 yds  
COL: 2 m<sup>2</sup> / 21,54 sqft

Prices excl. custom upholstery are equal to Price Category 1 Textile or Leather. Contact Sales support for approval of custom upholstery and to place your order.

The above textile consumption is only valid for textile rolls with a width equal to or greater than 140 cm. For smaller textile rolls, please contact Sales Support for guidance. For textile with pattern, please expect a higher usage for correct pattern fitting. Please contact Sales Support for guidance.



TECHNICAL SPECIFICATIONS

PRODUCT TYPE  
Dining chair

ENVIRONMENT  
Indoor

COLLI  
1

DIMENSIONS  
H: 81 cm / 31,9"  
SH: 48 cm / 18,8"  
D: 57,5 cm / 22,6"  
W: 50 cm / 19,7"

PRODUCTION PROCESS  
The shell is made from injection moulded polypropylene with fibreglass. Wood base is made of CNC-cut and turned oak parts.

COLOUR

*Shell with upholstery*  
Dependent upon selected upholstery

*Oak base*  
Natural oak  
Dark stained oak  
Black oak

GLOSS  
Gloss 10-20

MATERIALS

*Shell*  
85% polypropylene, 15% fibreglass

*Upholstered shell foam*  
CAL117 50 kg / 50N and 40 kg / 60N

*Oak base*  
Solid oak with matte lacquer, dark stained oak or black painted oak

WEIGHT  
11 kg / 24,3lb

TEST  
EN1022:2005, L2  
EN16139:2013, L2

CERTIFICATIONS  
Crafted from FSC certified oak

**Declare.**

PACKAGING TYPE  
Brown box

PACKAGING MEASUREMENTS  
(H x W x D)  
86 cm x 62 cm x 65 cm / 34" x 24,4" x 25,6"

MATERIALS & MAINTENANCE  
Please visit [audocph.com](http://audocph.com) for materials, care and maintenance instructions.

