

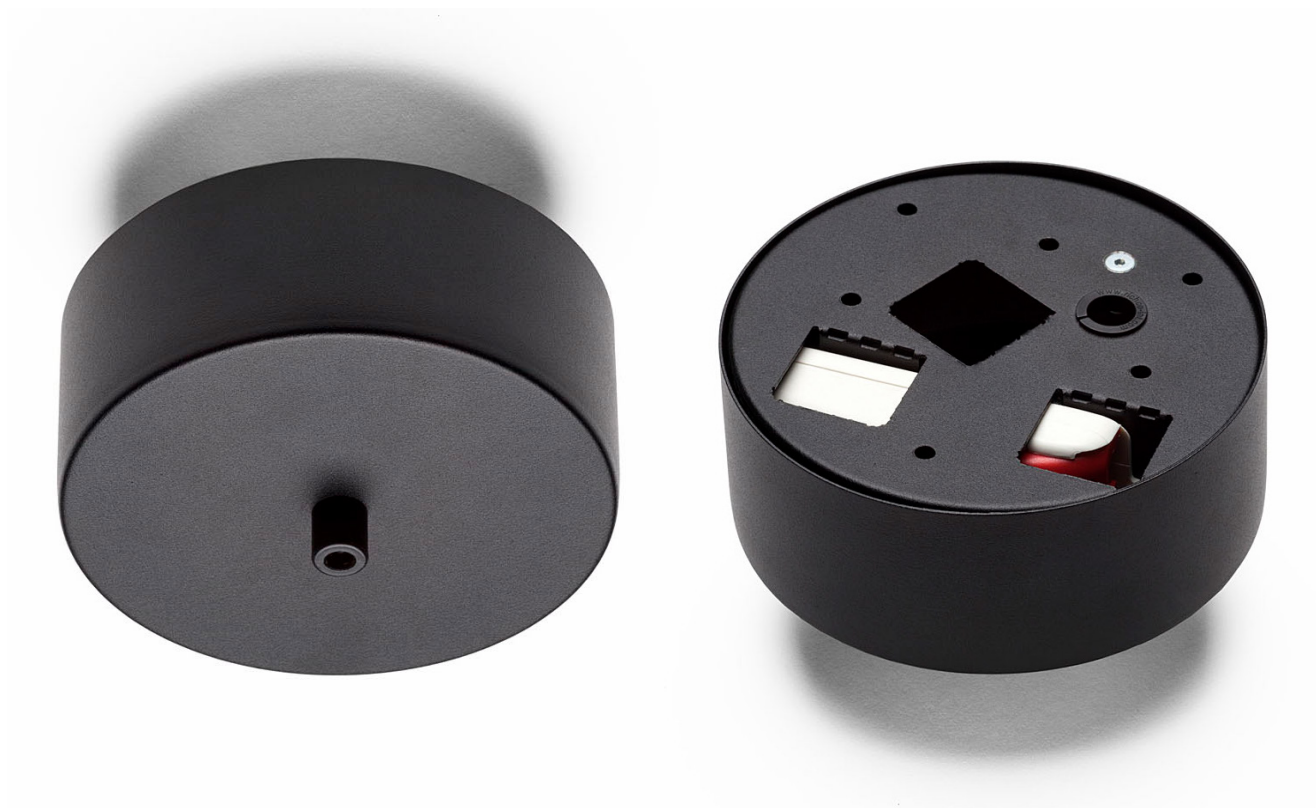
Secto Design Oy
Kauppalaantie 12
02700 Kauniainen
Finland
tel. +358 9 5050598
fax +358 9 5475 2535
info@sectodesign.fi
www.sectodesign.fi

Secto Design



Aspiro 8000 pendant
natural birch

- A freely falling spiral shaped pendant
- The shade is made of birch
- Only available in natural birch finish, the cable color can be chosen between a red or black textile cable
- Height of the shade ~ 25 - 35 cm, diameter 50 cm, weight 3,3 kg
- Standard length 200 cm, max 300 cm, heat-resistant, red or black textile cable.
- Black round ceiling cup. Comes with a ceiling plug
- Light source (included): LED, 13 W, 2800 K, min. 600 lm, trailing edge dimmable.
- Power source: GE/Lightech, trailing edge dimmable
- A black round ceiling box, size of the box is 140 x 53 mm
- International Protection Rating: IP20
- Dimension of the box: 13 x 53 x 52 cm, 4,7 kg



Aspiro 8000 ceiling box

Height 5,5 cm
Diameter 14 cm

Information The Aspiro ceiling box contains the driver required by the LEDs. The ceiling box is screwed to the ceiling when installing the cables. The cover of the ceiling box is pushed to its place and fastened with a screw.

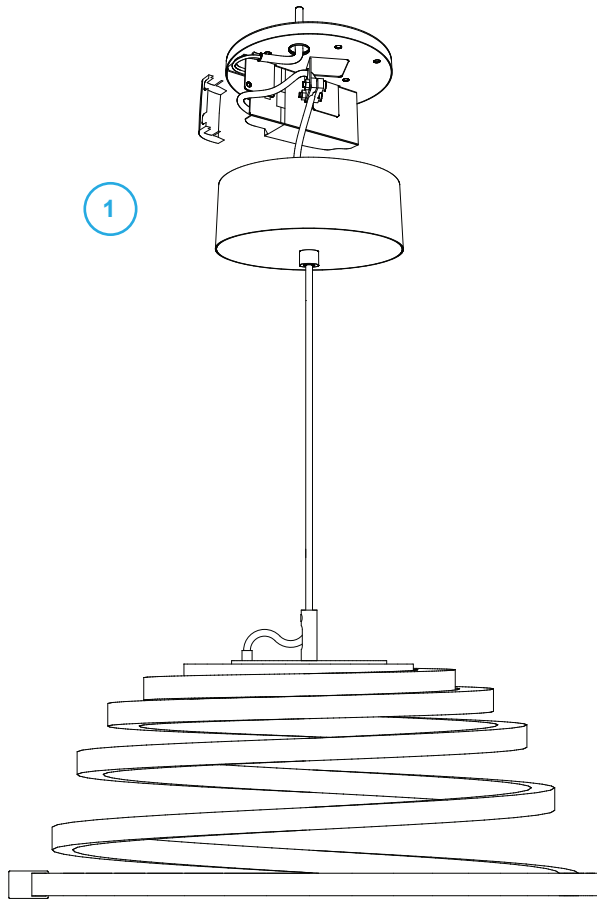
Please note that LED lamps can only be installed by an electrician following provided instructions.

Extra cable can be swirled inside the ceiling box when altering the hanging height of the pendant.

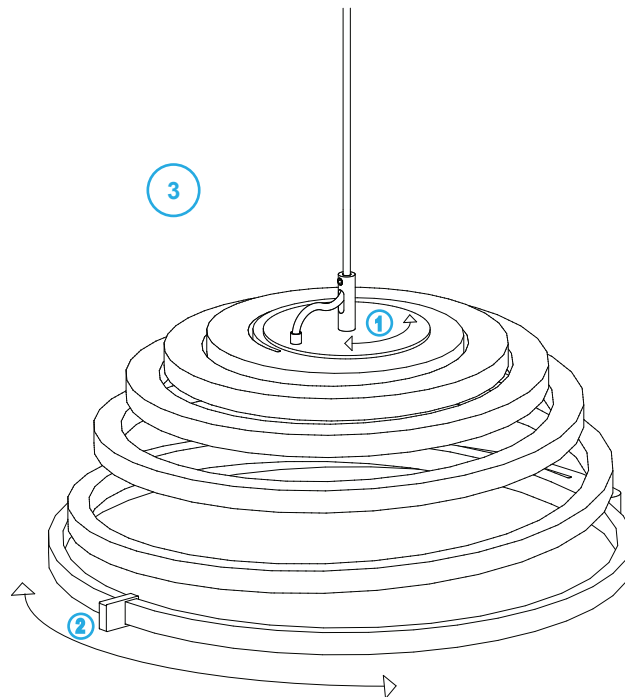
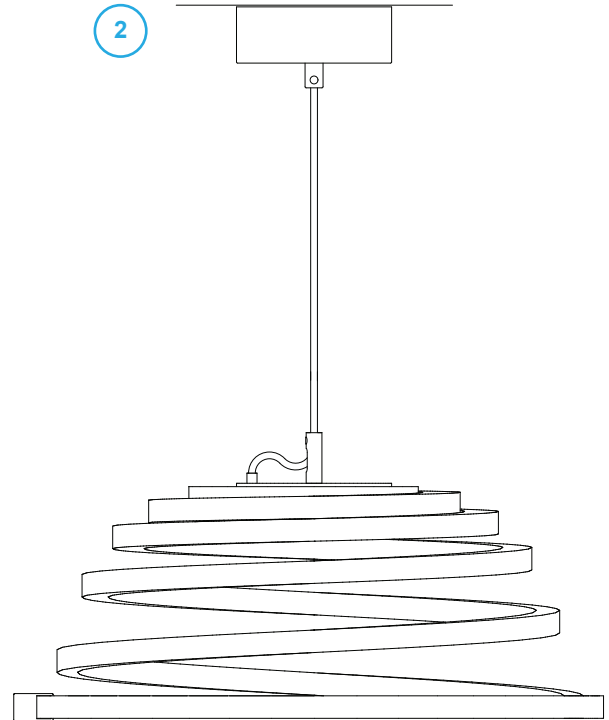
Secto Design

Aspiro 8000 pendant light riippuvalaisin

Technical specifications Assembly instructions Asennusohjeet



non-user replaceable light source



Adjust the balance
Tasapainon säätö

SECTO DESIGN ASPIRO 8000



This luminaire contains built-in LED lamps.



LED

The lamps cannot be changed in the luminaire.

3000 Kelvin
13W
600 lm
40 000 h



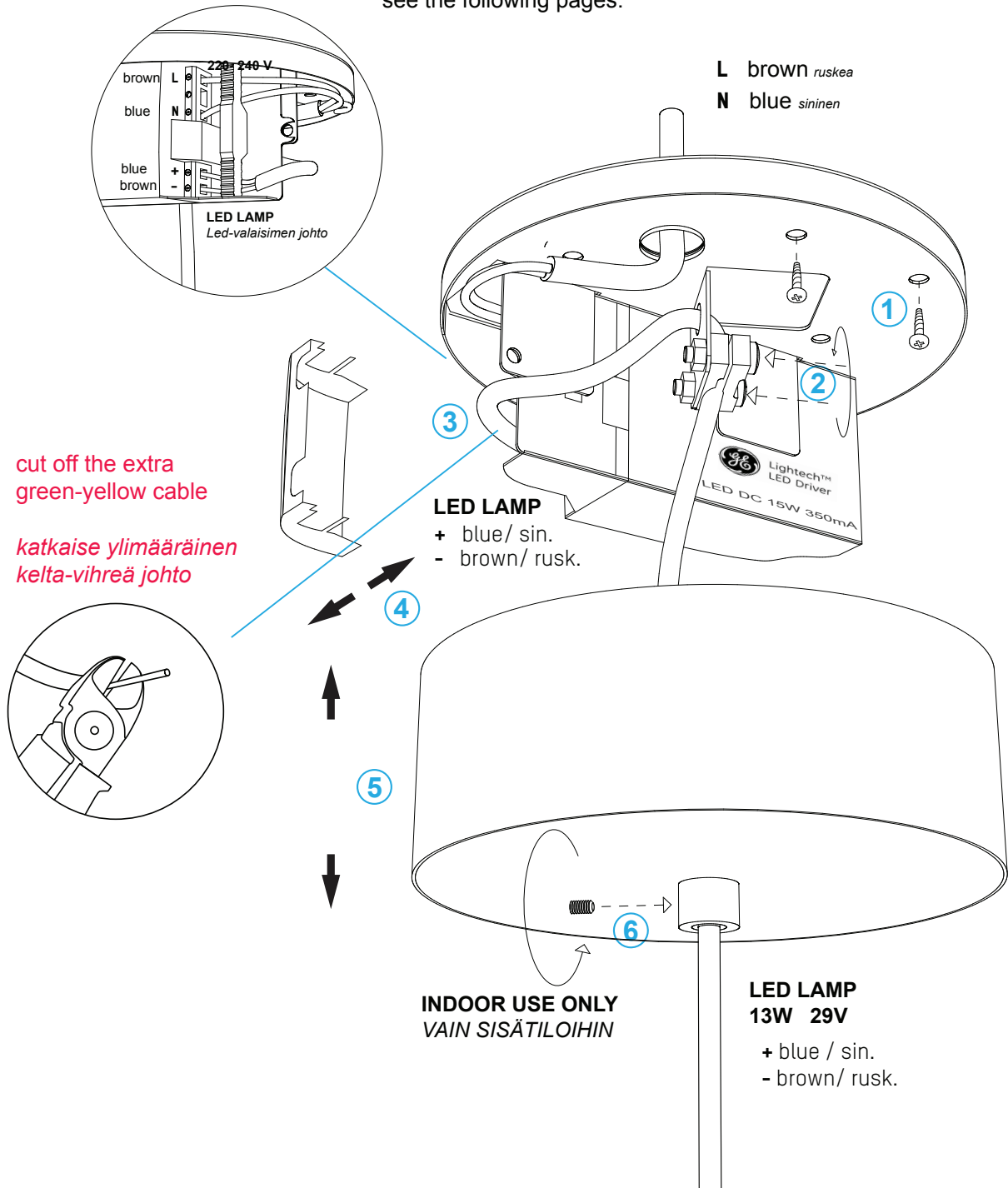
874/2012

Secto Design Oy
Kauppalantie 12 02700 Kauniainen, Finland
Tel. +358 9 5050 598, Fax +358 9 5475 2535
info@sectodesign.fi, www.sectodesign.fi

Install in accordance with national and local electrical codes.
All installation works must be performed with professional personnel.

Asennetaan Suomen sähköstandardien mukaisesti.
Asennus tulee suorittaa vain sähköalan ammattilaisen toimesta.

For more specific instructions see the following pages.



Power us	13W
Voltage	220 240V 50/60 Hz
Output	29V 350 mA
Cord length	Standard 2 m, max 3 m, black or red textile cable Standardi 2m, maks. 3m, musta tai punainen tekstiilijohto
Power supply	GE/Lightech, trailing edge dimmable, <i>himmennettävissä</i> (for more info, check the next page) <i>lisää tietoa seuraavalla sivulla</i>
Power box	black ceiling cup 140 x 55 mm musta kattokuppi



RoHS
WEEE





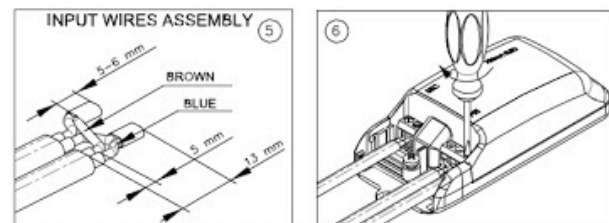
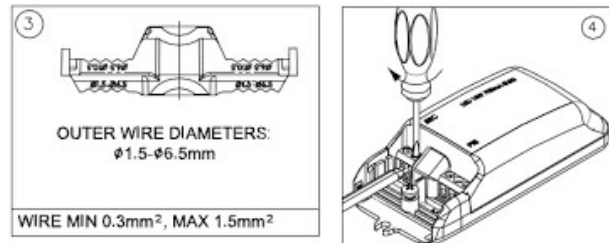
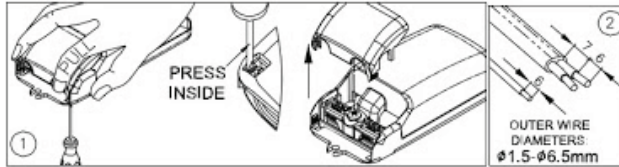
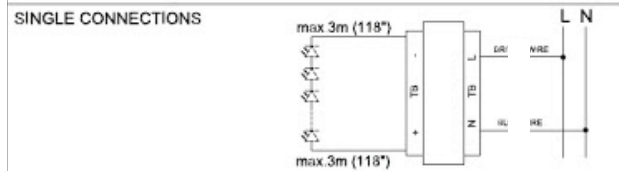
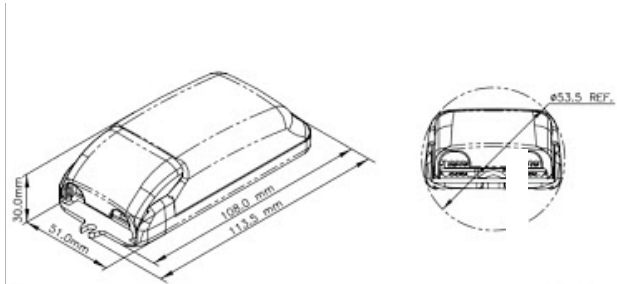
Lightech™ LED Driver

LED DC 15W 350mA

901015350ELBD

LED Driver DC CC, Terminal Block

Current: DC



FOR CHAINING CONNECTION WIRE
MIN 0.3mm², MAX 0.75mm²

Specs

Power: 15.0 W

Input specs

Power factor: 0.9
 Input current: 0.12-0.12 A
 Input frequency: 50 Hz
 Input voltage: 220.0-240.0 V
 Efficiency: 80 %

Output specs

Output current: 350.0 mA
 Output voltage range: 21-50 V

Protections

Over temperature protection: true
 Reinforced insulation: true
 Input voltage surge protection: true

Environment

Ta min: 0.0 °C
 IP : 20
 Ta max: 45.0 °C
 Tc: 75.0 °C
 Storage temp.: -10...50 °C

Standards

CE: true
 SELV: true

Mechanical

Case color: white
 Weight: 0.086 kg
 Case material: Plastic

Dimmable

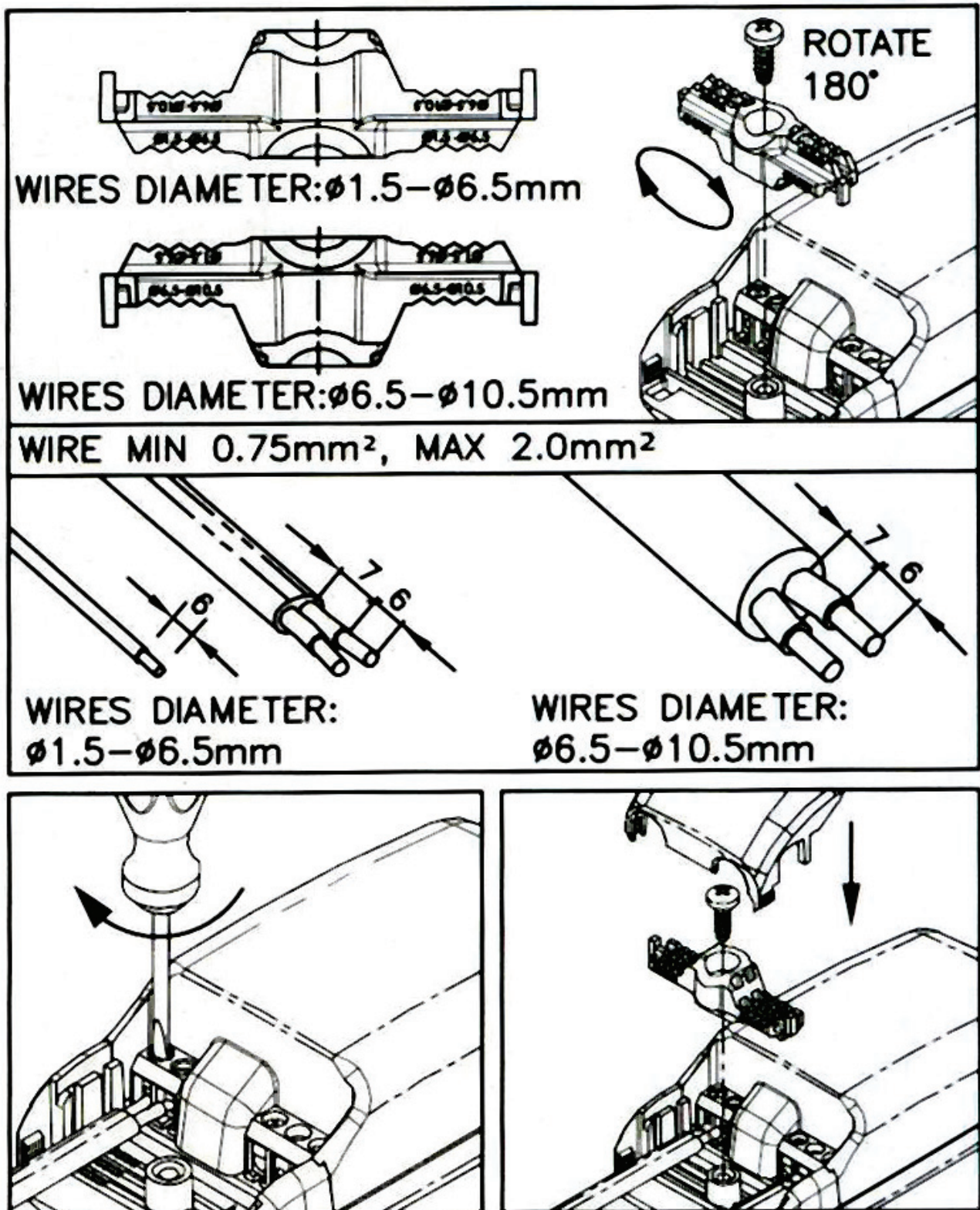
Dimmable: trailing edge type of a dim

Recommended dimmer models in Finland:

Schneider / Artic ATD315R
 Art numero: CCTFL12011
 EAN: 3606480297373
 Sähkönumero: 3512439

ABB/ Valonsäädin, kiertonuppiäädin LED, Jussi
 Art numero: 6523UJGK - 214
 EAN: 4011395151334
 Sähkönumero: 2619344

Please note these are the models in Finland, check with your local electrician for an equivalent in your country!



Notes:

Specifications may vary without notice

Always consult National, State and local electrical codes

Parameters are measured at rated output, rated load and at an ambient temperature of 25°C

Expect slight variation including component tolerance, setup tolerance, line regulation and load regulation

Where grounding/earthing is not indicated, avoid grounding/earthing or contact with grounded/earthed metal enclosures

Performance with dimmers, where supported, may vary depending on dimmer model

Subject to limited warranty (3yr for transformers, 5yr for drivers) terms and conditions as published from time to time