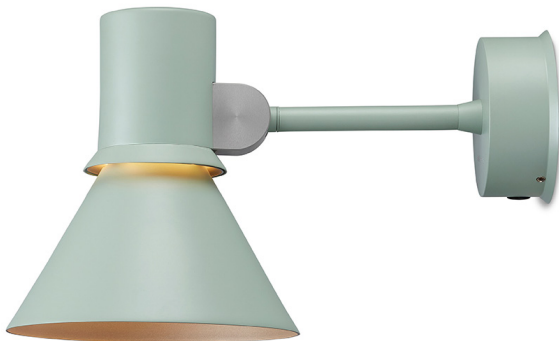


Type 80™ W1

ANGLEPOISE®

Type 80™ Collection | Technical Sheet

Launched In 2019 | Designed by Sir Kenneth Grange



Product

W1 Wall Light - Grey Mist
W1 Wall Light - Matte Black
W1 Wall Light - Pistachio Green
W1 Wall Light - Rose Pink

Description

Distinguished by a striking, graphic profile, Type 80's design is further enhanced by an attractive 'halo' light-escape feature in the shade. Every detail has been carefully considered and precision engineered to deliver streamlined style, ease of use and consistency across the collection. The lamp features sprung joint mechanisms with an accessible on-shade on/off switch. The wall sconce is visually aligned and easy to install.

Materials

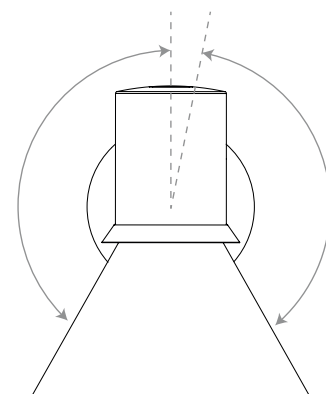
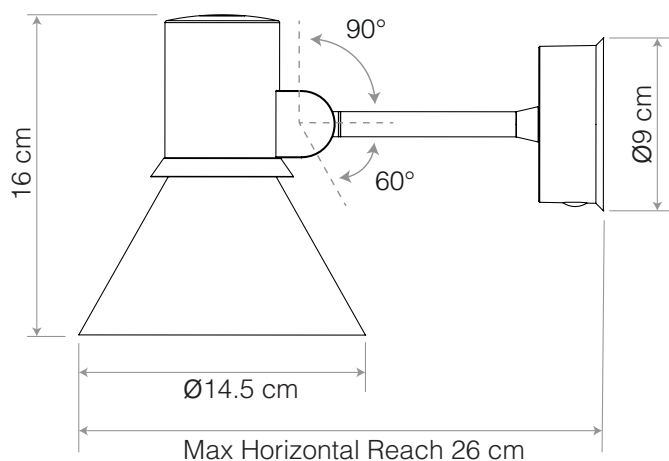
- Matt paint and Anodised Aluminium finish
- Aluminium shade
- Steel Stem
- Anodised machined joint
- Aluminium and Steel wall plate
- IP20 rating

Dimensions

- Shade Diameter: $\varnothing 14.5\text{cm}$
- Shade Height: 16cm
- Wall plate diameter: $\varnothing 9\text{cm}$
- Max Reach: 26cm (from wall to shade)
- Lamp Packaging (L x W x H): 24.5cm x 19cm x 31cm
- Lamp Packaged Weight: 1.1 kg

Electrical

- Voltage 220/240V, 50/60Hz
- Class II - Double Insulated
- Integrated shade switch
- Light can be wired to an external light switch
- E27 lamp holder
- Maximum permitted bulb: 10W LED
- Supplied with a compatible 6W LED E27 bulb
 - Luminous Intensity: 600lm
 - Life: 15,000 Hours
 - Non-dimmable
 - Colour Temperature: 2700K
 - CRI (Ra): 80



Shade Rotational Movement



Type 80™ W1

ANGLEPOISE®

Type 80™ Collection | Technical Sheet

Launched In 2019 | Designed by Sir Kenneth Grange



Product

W1 Wall Light - Grey Mist - with Cable / Plug
W1 Wall Light - Matte Black - with Cable / Plug
W1 Wall Light - Pistachio Green - with Cable / Plug
W1 Wall Light - Rose Pink - with Cable / Plug

Description

Distinguished by a striking, graphic profile, Type 80's design is further enhanced by an attractive 'halo' light-escape feature in the shade. Every detail has been carefully considered and precision engineered to deliver streamlined style, ease of use and consistency across the collection. The lamp features sprung joint mechanisms with an accessible on-shade on/off switch. The wall sconce is visually aligned and easy to install.

Materials

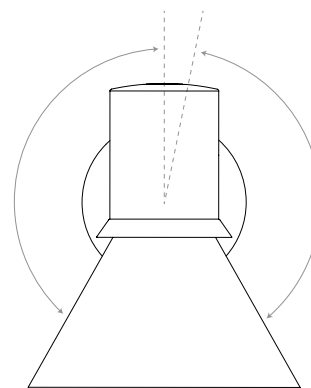
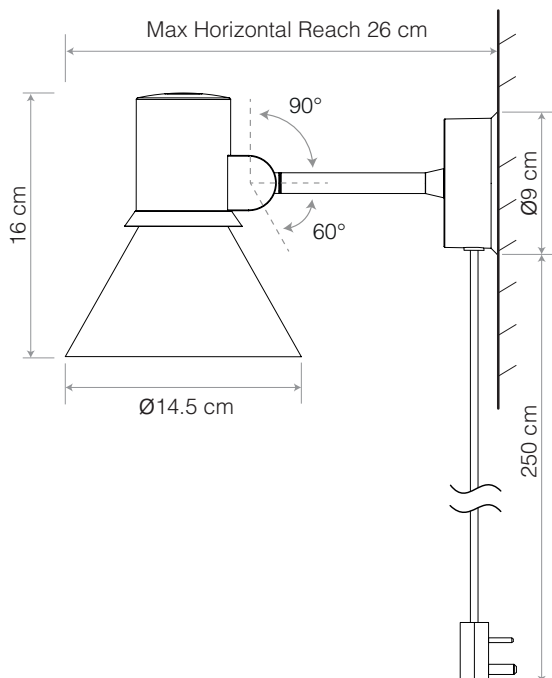
- Matt paint and Anodised Aluminium finish
- Aluminium shade
- Steel Stem
- Anodised machined joint
- Aluminium and Steel wall plate
- IP20 rating

Dimensions

- Shade Diameter: $\varnothing 14.5\text{cm}$
- Shade Height: 16cm
- Wall plate diameter: $\varnothing 9\text{cm}$
- Max Reach: 26cm (from wall to shade)
- Lamp Packaging (L x W x H): 24.5cm x 19cm x 31cm
- Lamp Packaged Weight: 1.1 kg

Electrical

- Voltage 220/240V, 50/60Hz
- Class II - Double Insulated
- Integrated shade switch
- 250cm cable
- Plug: 2-pin Europlug to CEE 7/16
- E27 lamp holder
- Maximum permitted bulb: 10W LED
- Supplied with a compatible 6W LED E27 bulb
 - Luminous Intensity: 600lm
 - Life: 15,000 Hours
 - Non-dimmable
 - Colour Temperature: 2700K
 - CRI (Ra): 80



Shade Rotational Movement



Bulb
included